

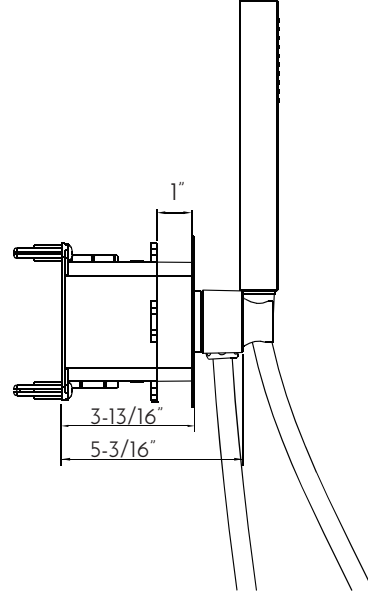
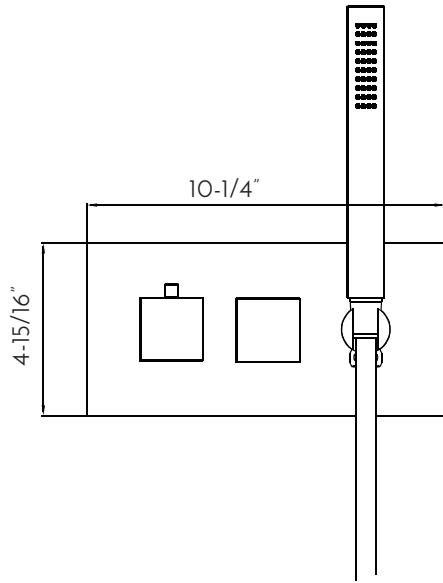


DAX-9003-CR



SHOWER SYSTEMS **SERIES**





## FEATURES

- Shower System
- Thermostatic Mixer
- 2 Functions
- Stainless Steel
- Chrome Finish





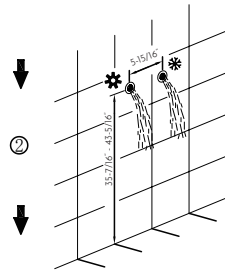
SHOWER SYSTEM **DAX-9003-CR**

MODEL	DAX-9003-CR
ADA	NO
UPC APPROVED	YES
ANSI APPROVED	NO
ASME APPROVED	NO
BODYSPRAYS INCLUDED	NO
HAND SHOWER FLOW RATE (GPM)	2.5
SHOWER HEAD FLOW RATE (GPM)	2.5
ROUGH-IN VALVE FLOW RATE (GPM)	7.9
HANDLE MATERIAL	BRASS
HANDLE STYLE	WALL MOUNTED
HAND SHOWER INCLUDED	YES
HAND SHOWER HOSE INCLUDED	YES
HAND SHOWER HOSE LENGTH	1.5M
INSTALLATION TYPE	CONCEALED
MATERIAL	STAINLESS STEEL 304 & BRASS
PRESSURE BALANCE	NO
SCALD GUARD	YES
SHOWER ARM REACH	NO
SHOWER HEAD	YES
SHOWER HEAD HEIGHT	2.2M
SHOWER HEAD SHAPE	RECTANGULAR
SHOWER HEAD WIDTH	19-11/16" X 9-1/16"
SLIDE BAR INCLUDED	NO
SPRAY PATTERN	RAIN, WATER FALL & HAND SHOWER
THERMOSTATIC	YES
VALVE INCLUDED	FRENCH VENET
VALVE TYPE	THERMOSTATIC
WATER EFFICIENT	YES
WATERSENSE CERTIFIED	NO
WALL ELBOW DIMENSION	NPT 1/2"
FINISH	CHROME





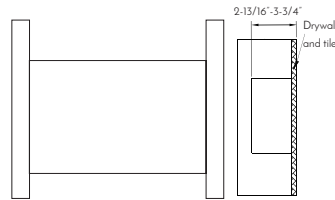
01 ① →



③ →

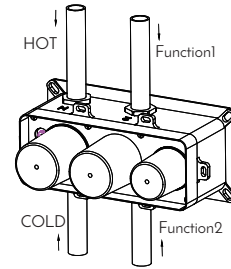
Flush the water supply lines thoroughly to drain debris and impurities. Shut off the water before installation.

02



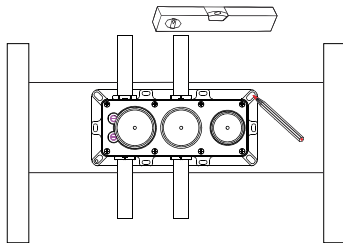
Fix a wood plate to the two wood pipes for faucet installation.

03



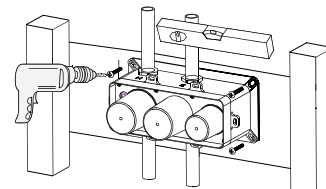
Design the pipelines connection inside the wall according to the function chart.

04



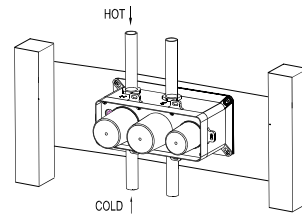
Put the installation box on the wood plate. Measure the correct position with level and marks.

05



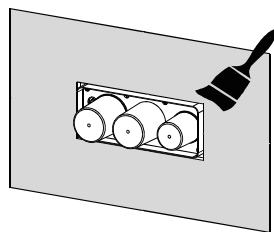
Screw the installation box to the wood plate.

06



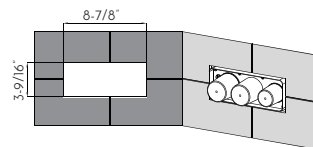
Connect hot and cold water pipes and all outlets accordingly and test the leakage.

07



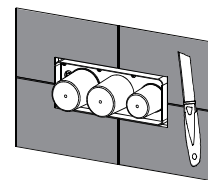
Create a dry wall around the installation box and brush with water proof glue.

08



Leave a hole on tile covering according to chart dimensions and real product size. Use silicone along the installation box to seal.

09

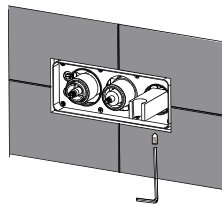


Cut the excess part of installation box. Make sure there are no bump edges above tiles.



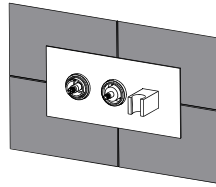


10



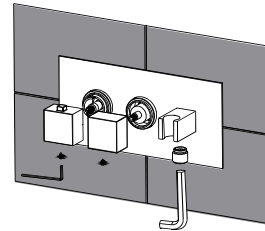
Take away the plastic protection cups on the valve. Insert the shower holder body into the socket in the wall. Be aware of the direction and fix the holder with screw.

11



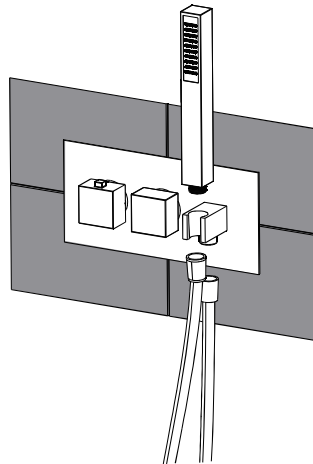
Insert the stainless steel plate. Consider the correct direction of plate.

12



Install the handles and connector with allen keys. Test and make sure all the functions are closed when handle is pointed at OFF position.

13



Connect the shower hose with hand shower and hose connector to complete the installation.





DIAGRAM NUMBER	DAX SKU	TITLE DESCRIPTION
1		
2		
3		
4		
5		
6		
7		
8		
9		
10		
11		
12		

